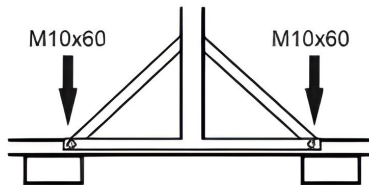
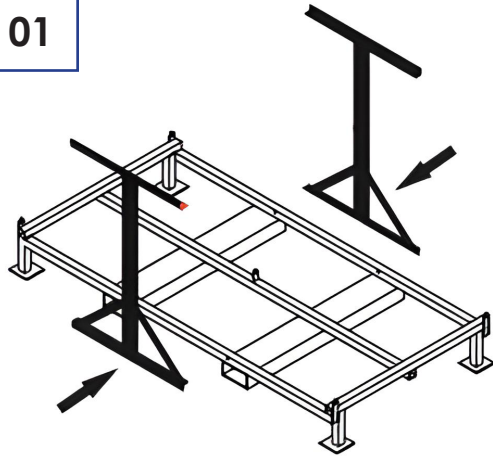


### CHARACTERISTICS

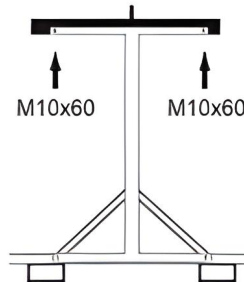
- Length : 200 cm
- Height : 122 cm
- Width : 100 cm
- Weight : 96 kg
- Max capacity:
  - 60 barr. 25 mm
  - 50 barr. 28 mm
- delivered unassembled

Tolerance of +/- 10% to the stated sizes.

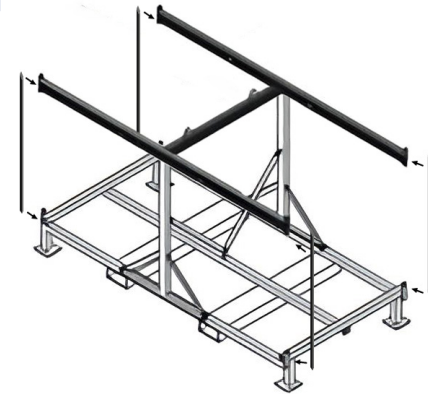
01



02



03



Holes are placed at the ends of each bar and on the rack plates. Secure the components using the bolts supplied with the storage rack.

Tolerance of +/- 10% to the stated sizes.

Non-contractual photo. Blok 'N' Mesh Europa B.V. reserves the right to change the specifications of the products in the catalogue at any time in the spirit of continuous improvement. It is the customer's responsibility to consult the latest version of the technical data sheets before each use and to ensure the suitability of the product for the use for which it is intended. BLOK 'N' MESH EUROPA B.V. - Druivenstraat 47, 4816 KB Breda - The Netherlands - RSJN: 857374539.